

TC850 HD

TRUCK & BUS TYRE CHANGER

BEISSBARTH

TRUCK/BUS UP TO 30"

TC850 HD: Commercial vehicle and bus tyre changer up to 30"

Superior versatility

- Effortlessly handles rims up to 30" diameter
- Covers wheels up to 1,640 mm in diameter and 850 mm in width
- Equipped to handle Super-Single tyres
- Built to handle weights up to 1,200 kg

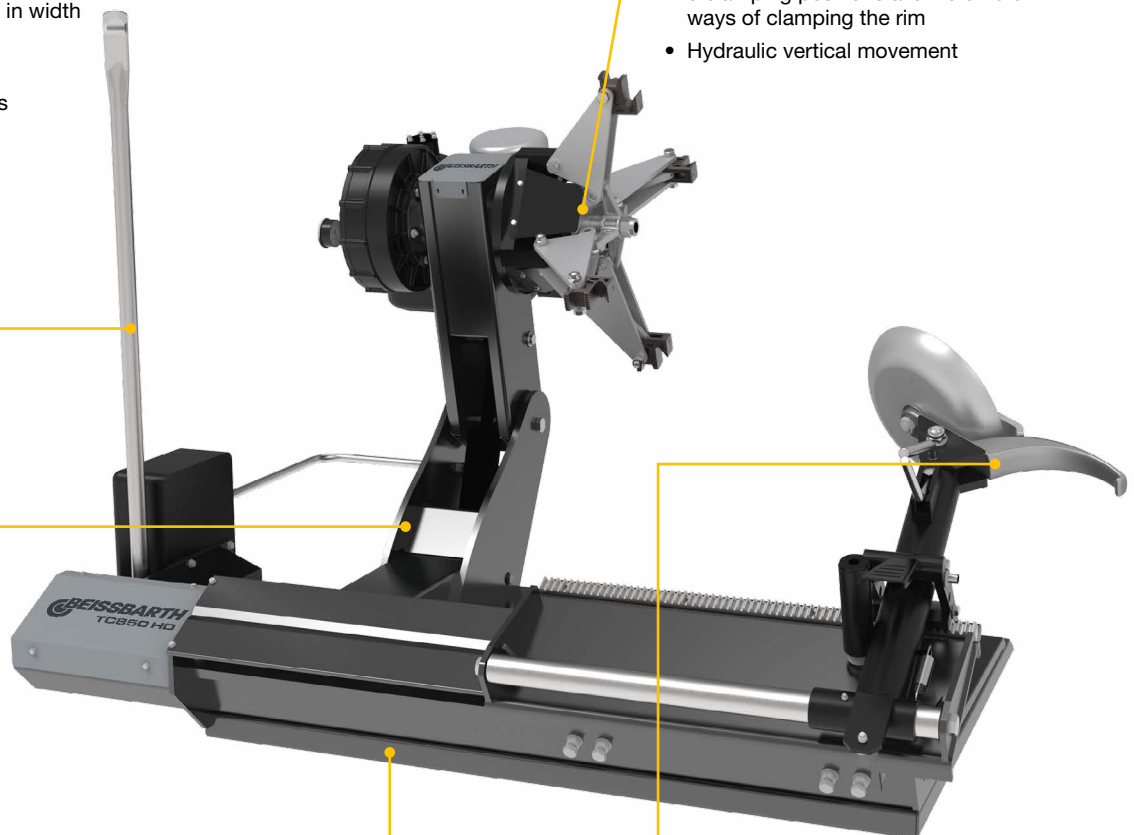
Standard delivered with mounting lever

Robust and intuitive cable remote

- Joystick 1 (up/down): wheel up and wheel down
- Joystick 1 (left/right): movement of tool carriage
- Joystick 2: open and close jaws
- Left pedal: rotate anti-clockwise
- Right pedal: rotate clockwise
- Freely movable inside complete working area

Powerful hydraulic clamping

- Securely clamps rims from 14–30"
- Rotates in both directions at 7 rpm
- 3 clamping positions allow 6 different ways of clamping the rim
- Hydraulic vertical movement



Pre-drilled for floor fixation for maximum safety

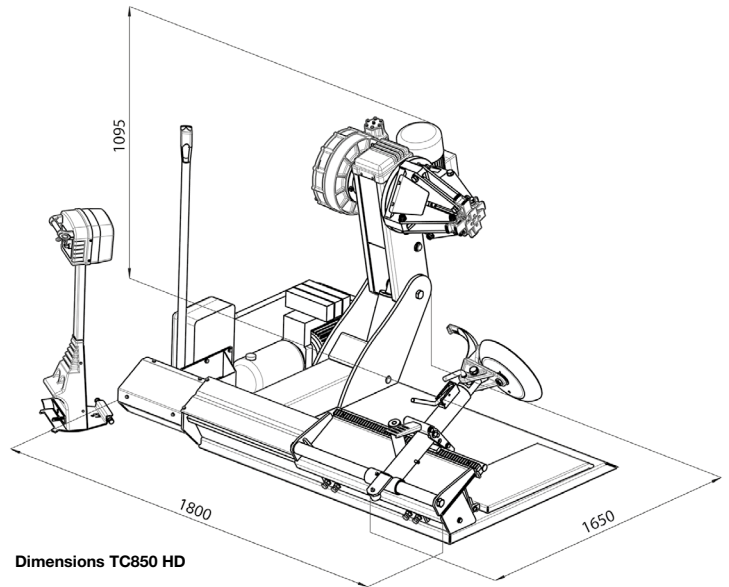
Quick tool arm

- Manual side movement allows quicker adjustments
- Rotate to quickly switch between bead breaking and demounting function
- 25,000 N bead breaking force
- Flip complete arm for full access to the wheel

Scope of delivery

Description	TC850 HD
Order number	1 692 401 008
Inside clamping	14–30"
Max. wheel width	34" 850 mm
Max. wheel diameter	65" 1,640 mm
Max. wheel weight	1,200 kg
Min. diameter center bore	5" 122 mm
Bead breaker force	25,000 N
Power	1,5 kW
Power supply	400 V 3 Ph 50–60 Hz
Rotation speed	7 rpm

Standard accessories	TC850 HD
Mounting lever	●
Rim clamp	●
Power plug	●



Dimensions TC850 HD

Optional accessories:



Alu rim clamp
Clamp for aluminum rims
Order number: 1 692 402 010



Rim protection ring Ø 281 mm
22,5" aluminum rim protection
Order number: 1 692 402 011



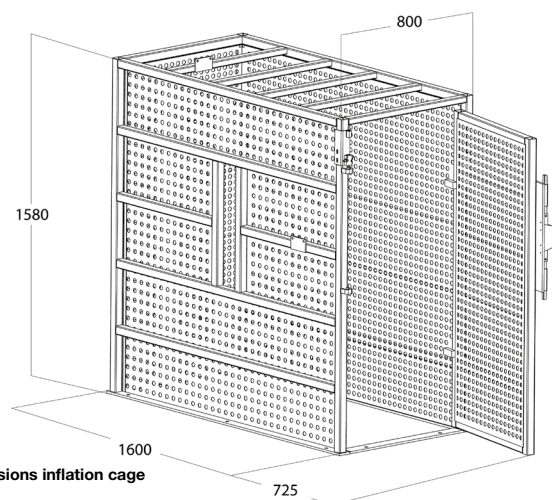
Jaw protection kit
Order number: 1 692 402 009

Safe tyre inflation:



Inflation cage

- Safe inflation of industrial tyres up to 1,450 mm in diameter
- Protects technicians from tyre bursts
- Optional electronic inflation control for automatic inflation



Dimensions inflation cage